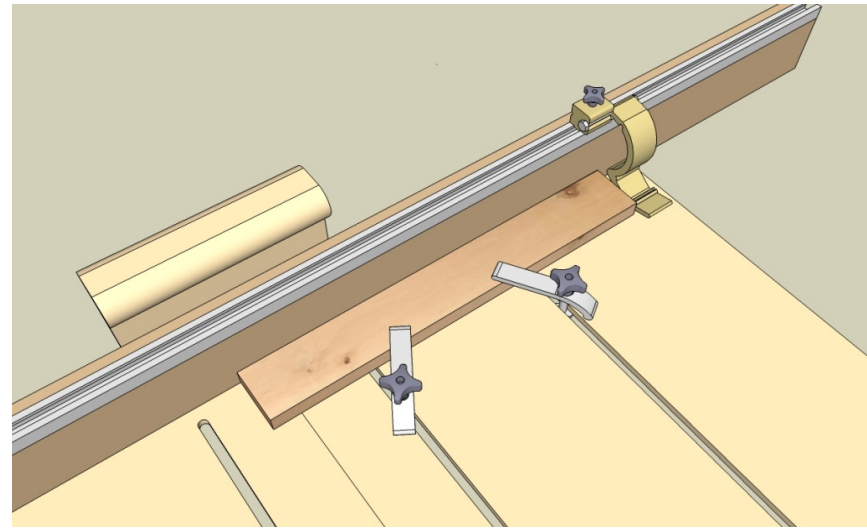
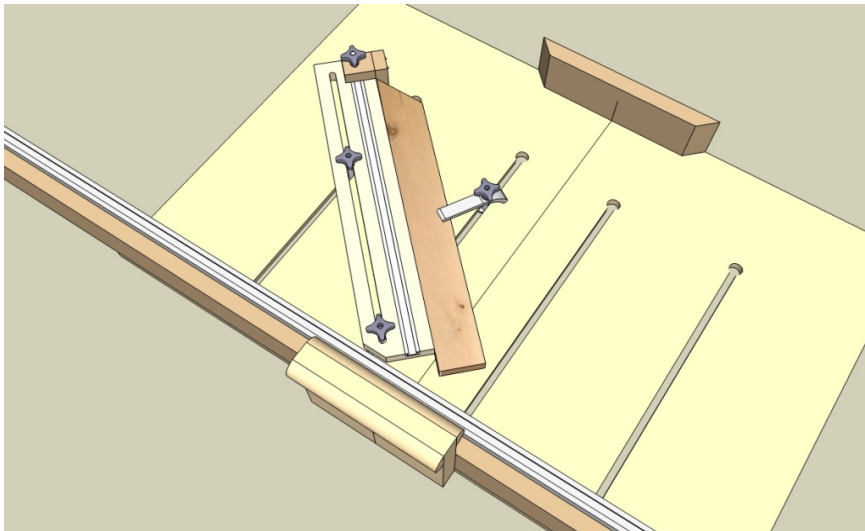
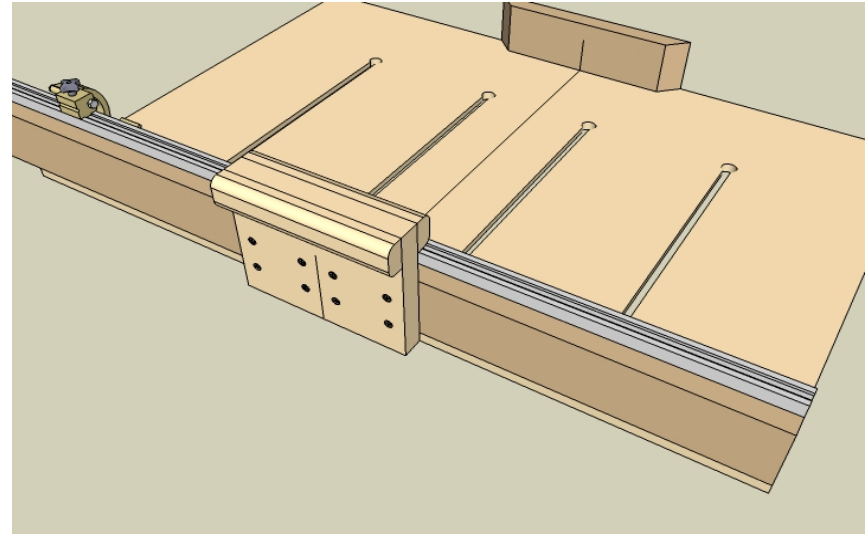
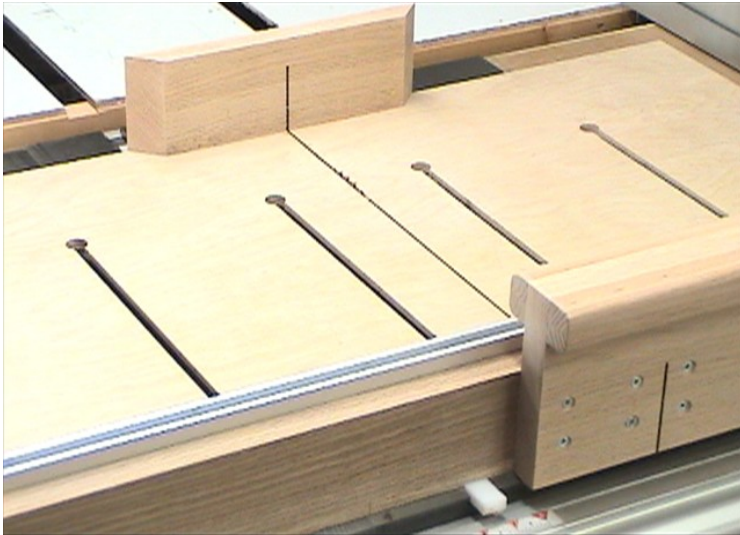
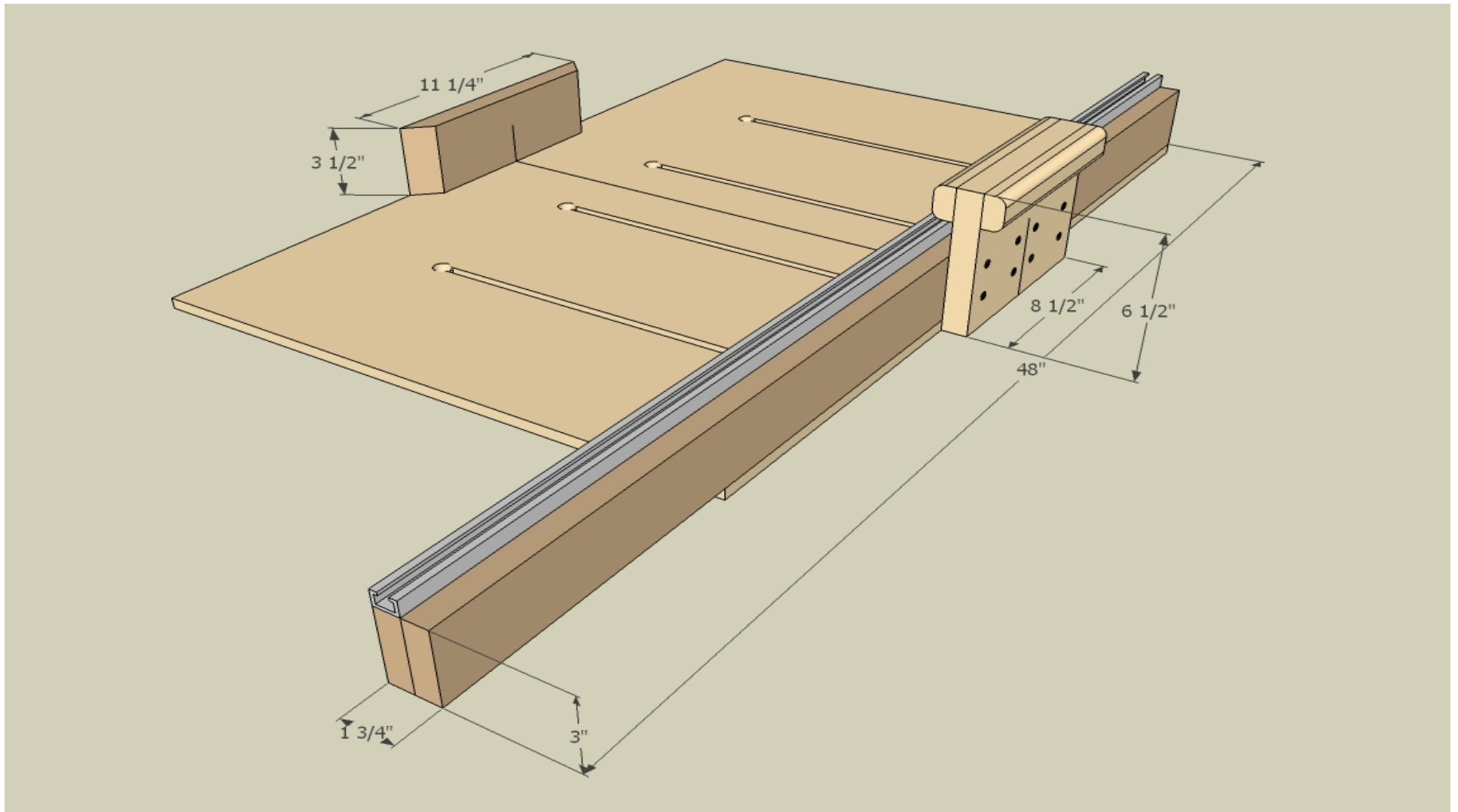


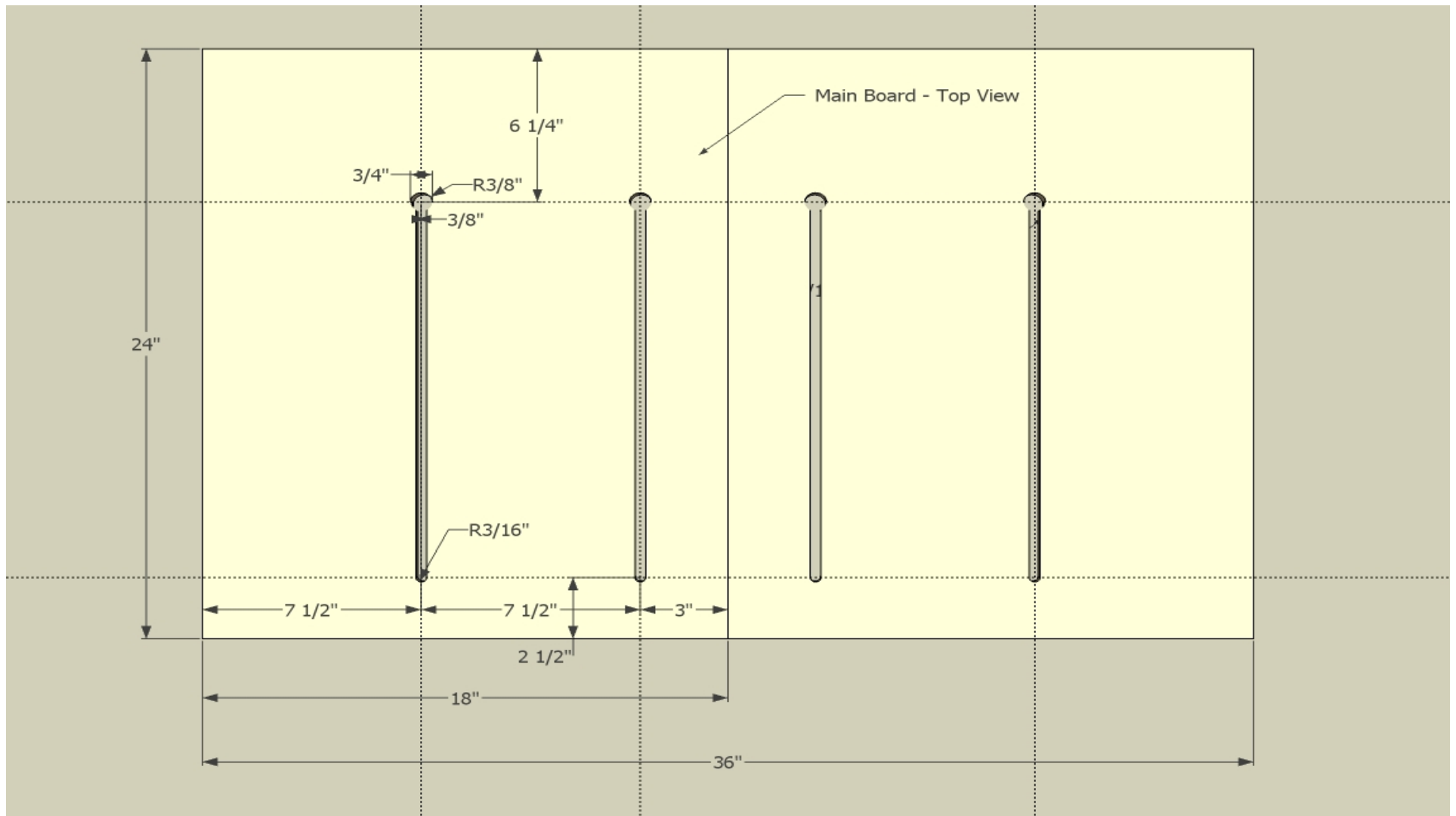
Super Sled – Tablesaw Mitering and Crosscut Sled, by John W. Nixon



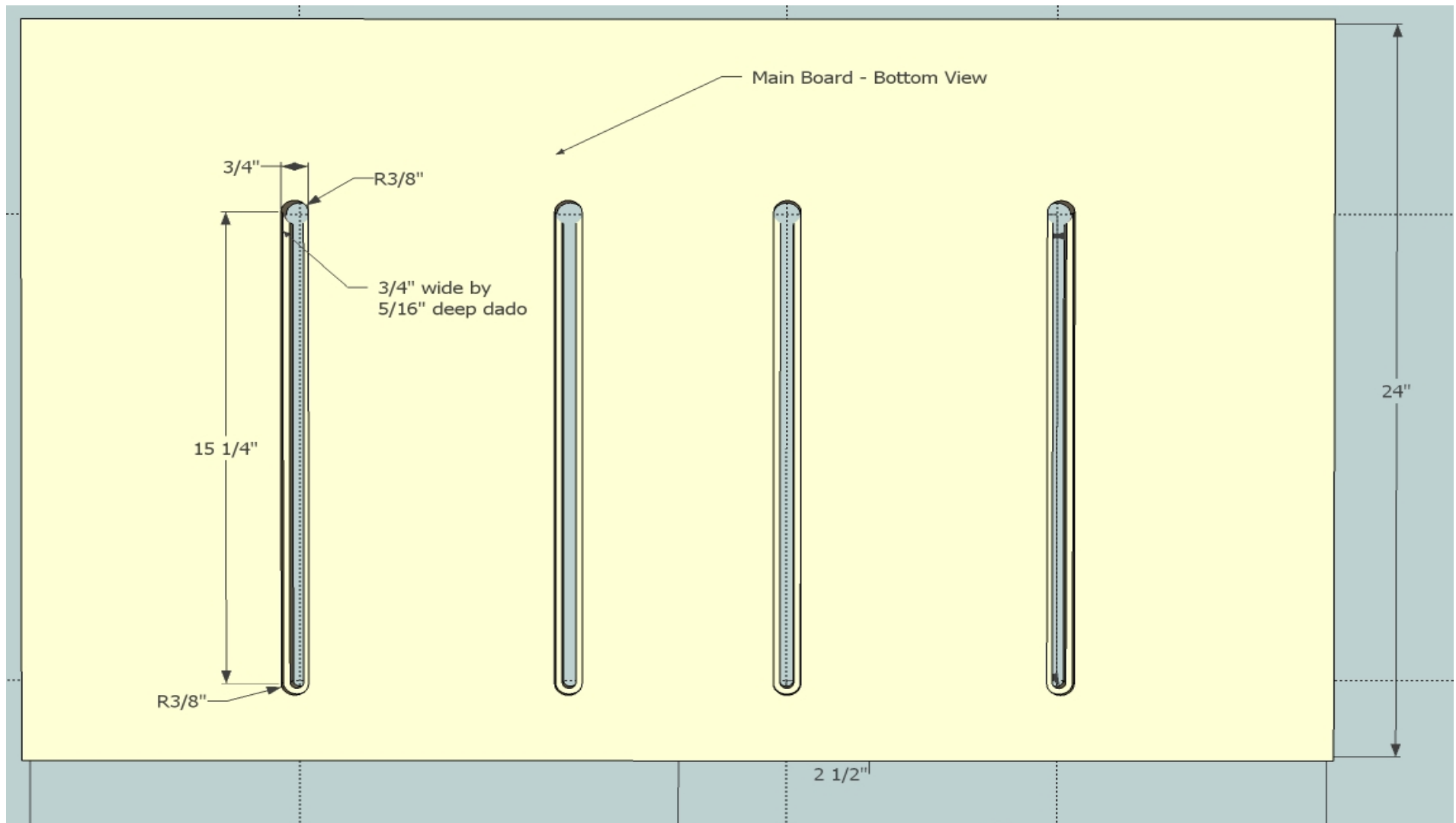
Super Sled – Tablesaw Mitering and Crosscut Sled, by John W. Nixon



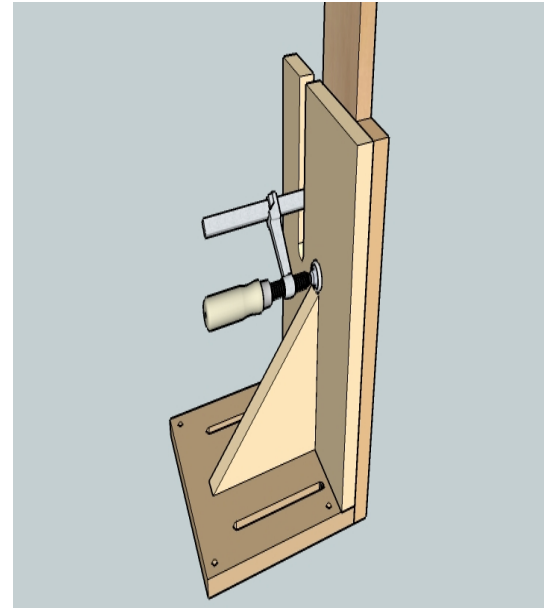
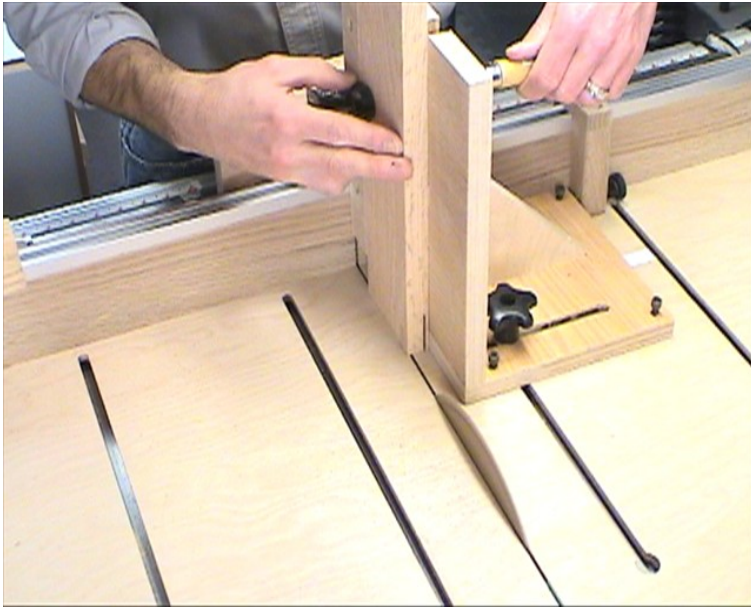
Super Sled – Tablesaw Mitering and Crosscut Sled, by John W. Nixon



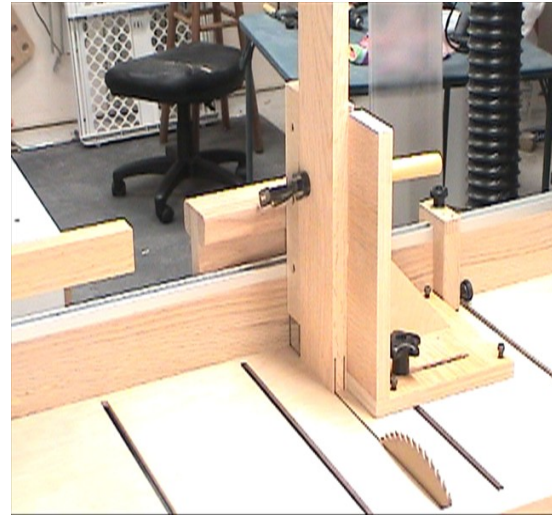
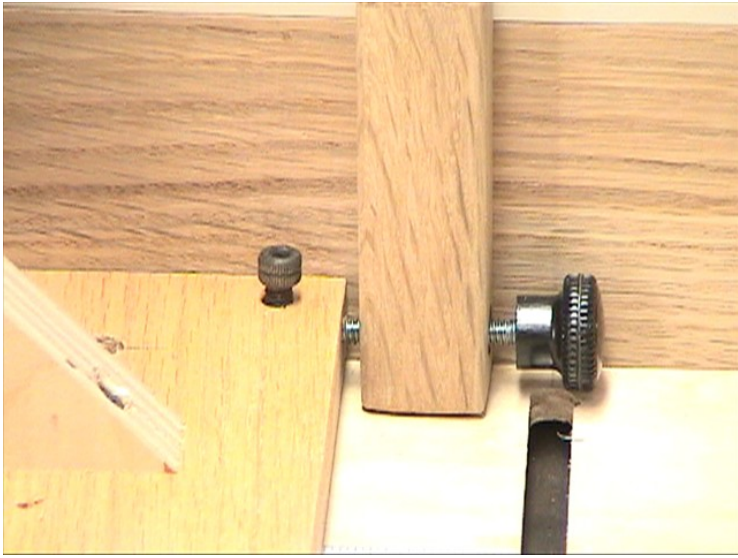
Super Sled – Tablesaw Mitering and Crosscut Sled, by John W. Nixon



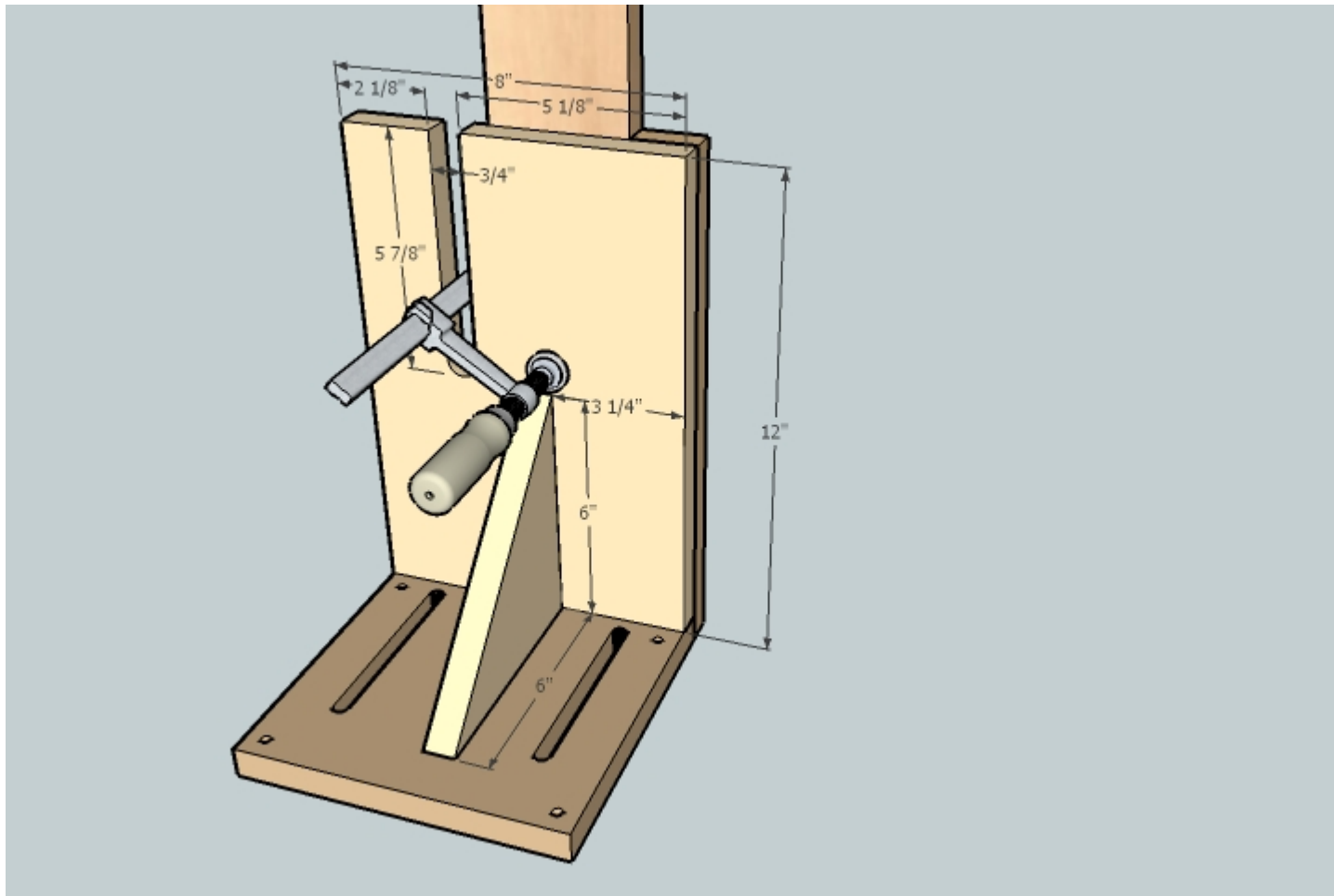
Super Sled – Tablesaw Mitering and Crosscut Sled, by John W. Nixon



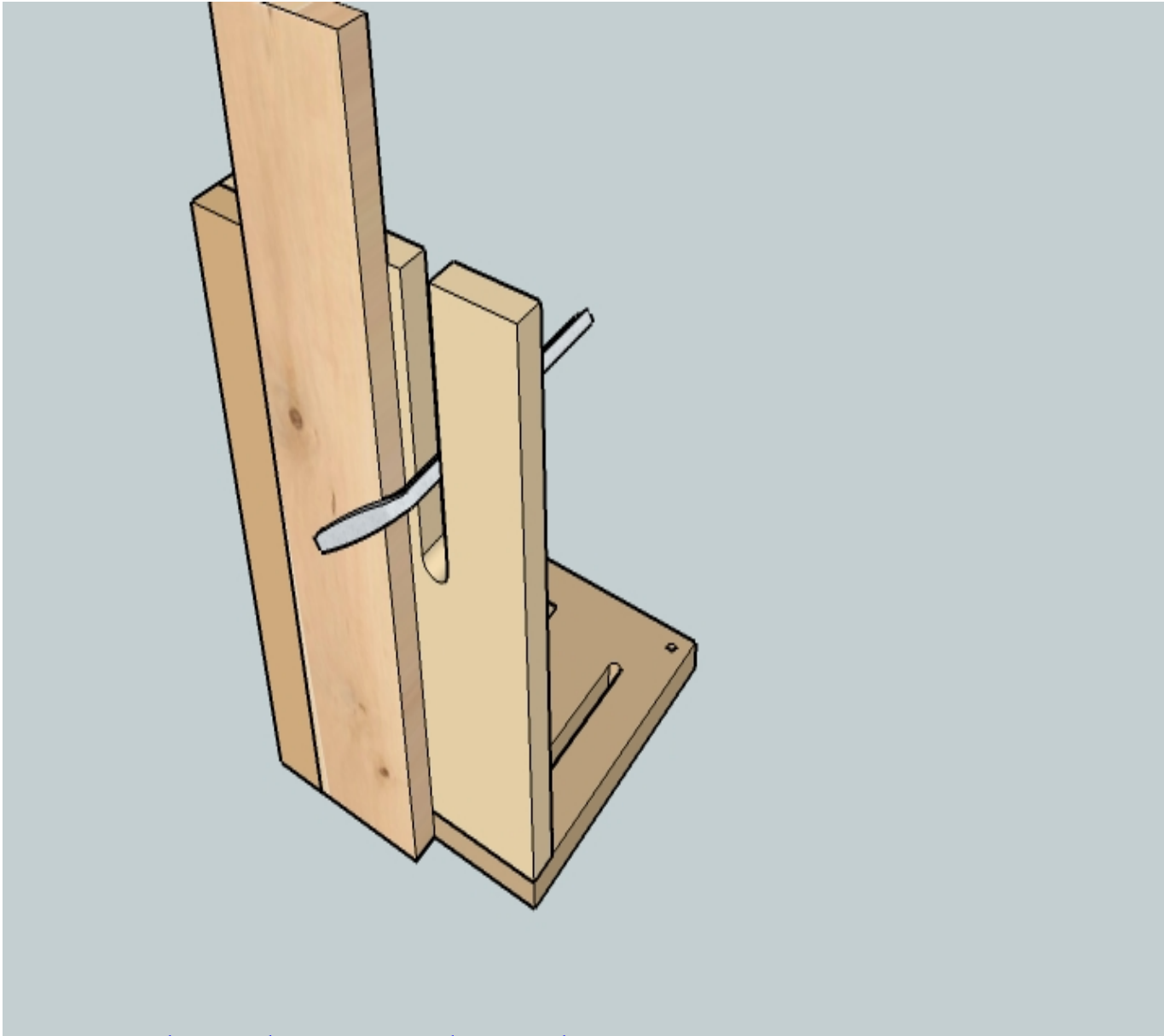
Super Sled – Tablesaw Mitering and Crosscut Sled, by John W. Nixon



Super Sled – Tablesaw Mitering and Crosscut Sled, by John W. Nixon

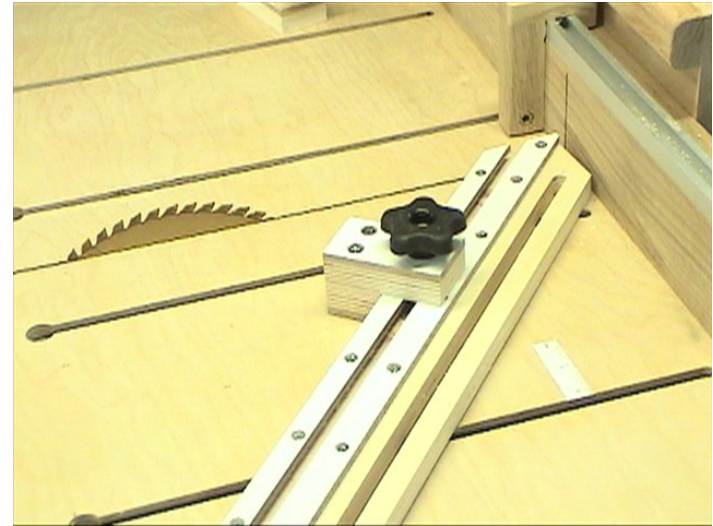
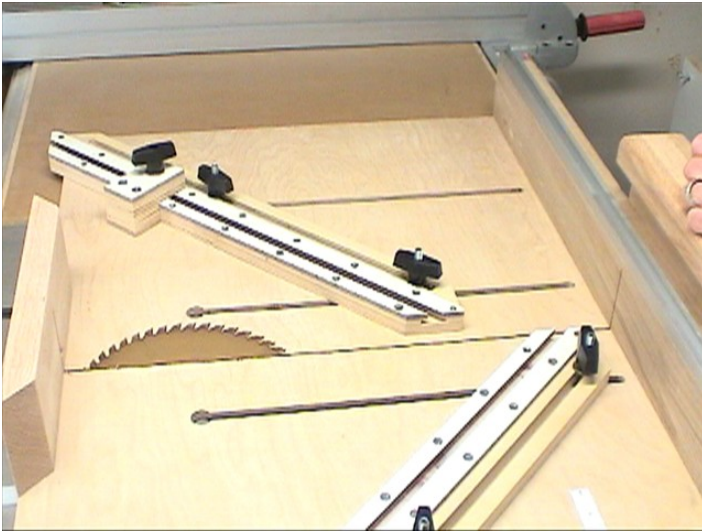


Super Sled – Tablesaw Mitering and Crosscut Sled, by John W. Nixon

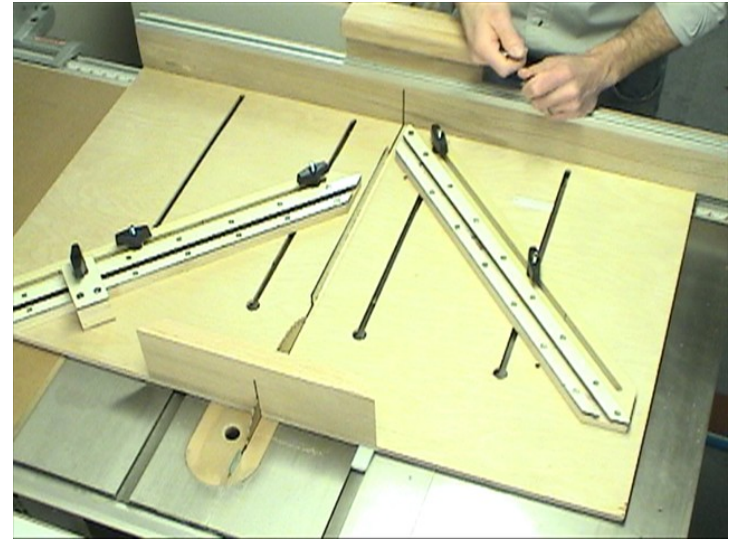
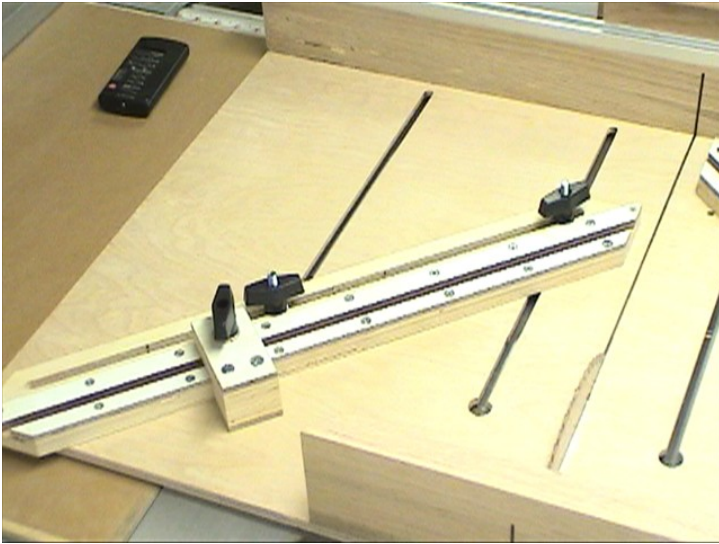


<http://www.EagleLakeWoodworking.com> © 2009

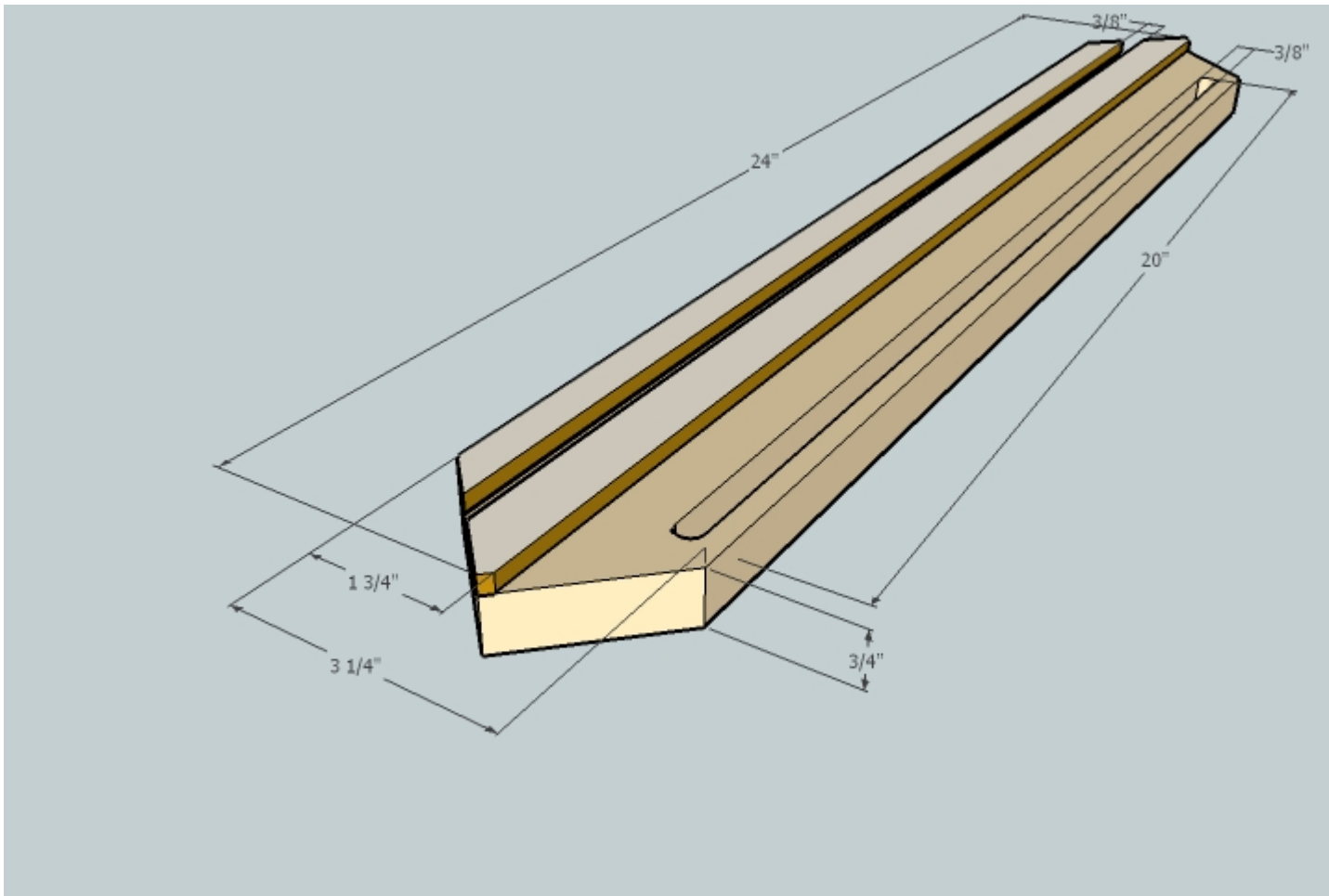
Super Sled – Tablesaw Mitering and Crosscut Sled, by John W. Nixon



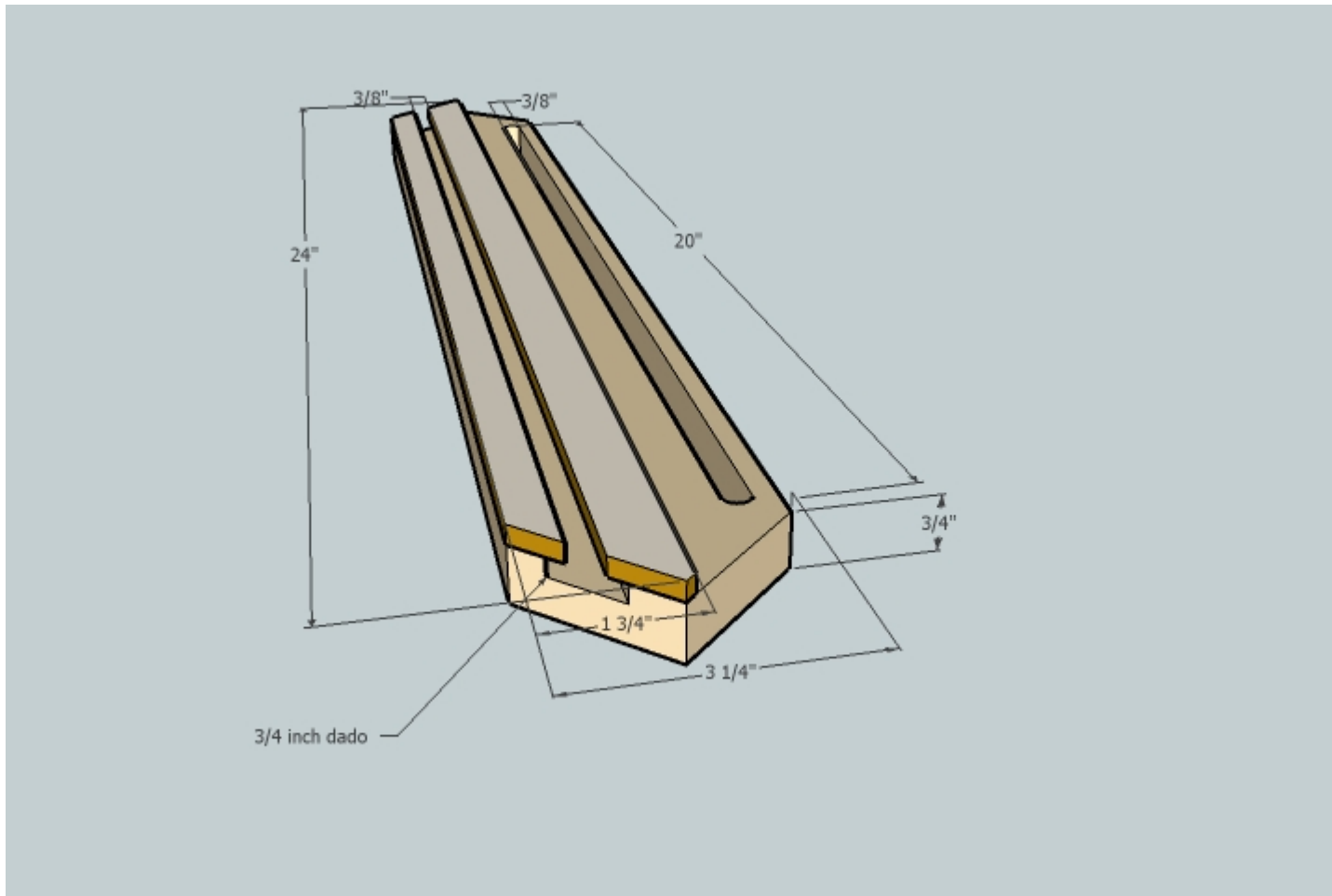
Super Sled – Tablesaw Mitering and Crosscut Sled, by John W. Nixon



Super Sled – Tablesaw Mitering and Crosscut Sled, by John W. Nixon



Super Sled – Tablesaw Mitering and Crosscut Sled, by John W. Nixon



Super Sled – Tablesaw Mitering and Crosscut Sled, by John W. Nixon

